



SEMINARIO C SEED

Elettronica di lusso per arredi esterni e grandi imbarcazioni

Gentili Colleghe e Colleghi,

C SEED è una azienda leader nel settore dell'elettronica di lusso che unisce il design minimalista all'artigianato meticoloso.

Nel 2013, C SEED ha ottenuto un significativo impatto nella storia dei televisori con l'introduzione del suo primo prodotto, il C SEED 201. Questa TV MicroLED per esterni, frutto di una collaborazione con Porsche Design, ha segnato la creazione di una nuova categoria di prodotti di lusso.

Il successo di questa iniziativa ha portato allo sviluppo del C SEED Supermarine TV, progettato per soddisfare gli standard di intrattenimento dei superyachts. Gli schermi TV MicroLED C-Seed sono resistenti all'acqua IP65 e possono quindi essere installati all'aperto.

Il C SEED 201 ha ricevuto il premio "Red Dot: Best of the Best" per il suo aspetto elegante e funzionale. Realizzato dallo Porsche Design Studio, è riconosciuto per il suo minimalismo elegante e le sue elevate prestazioni.

Mercoledì 28 Febbraio 2024 dalle ore 15:00 alle ore 17:00

Sala conferenze Ordine - Rilascio 2CFP

Note:

- Seminario esclusivamente in presenza riservato ai soli iscritti OAMS
- Il seminario è stato caricato sul Portale Formazione CNAPPC – Ordine Massa-Carrara
- Gli interessati a partecipare devono registrarsi esclusivamente sul portale entro e non oltre le ore 15:00 del 26 Febbraio p.v.

Si allega brochure illustrativa dei prodotti.

Cordiali saluti.

Il referente del DCF
Arch. Paolo Camaiora

Il Presidente
Arch. Roberto Del Sarto

SUPER MARINE

C/SEED

T H E U N F O L D I N G T V



A PROUD HERITAGE



C SEED Entertainment Systems matches minimalistic design with impeccable craftsmanship to create leading-edge luxury electronics. This award-winning company was founded in 2009 by Alexander Swatek together with Jakob Odgaard and Jorn Sterup, two former Bang & Olufsen managers. It is headquartered in Vienna, Austria, with a showroom and branch office in Beverly Hills, California.

In 2013, C SEED changed the course of TV history, introducing the company's first product and redefining "grand entrance" forever: The ground opens. A monumental back column rises up to first-floor height. On its top, an MicroLED screen unfolds to a stunning, five-meter wide, dazzlingly bright display.

At long last, lounging in the open air while enjoying the very best high-end sound and vision under the sun or the stars is available at the push of one single button.

Enter C SEED 201: The world's first outdoor MicroLED TV is the literally groundbreaking success of a collaboration between C SEED and Porsche Design. They started out with the explicit intent to introduce an all-new luxury product category and wound up creating an award-winning style icon with impact across generations.

Almost immediately, C SEED received requests from the superyacht industry and set out to take this groundbreaking design to sea. Accommodating to the typical space restrictions on yachts and the special technical demands of marine environments required an enormous engineering effort. Its proud result is the C SEED Supermarine TV, made to set new entertainment standards for superyachts.

Never slowing down for even a moment's rest on these laurels, the team joined forces with audio specialist L-Acoustics to push the limits of total outdoor sound. Together they created the C SEED Hyde 125 to meet the most radical demands of high-end audio lovers in search of ultimate power and elegance. Yet, this truly extraordinary journey was far from being over. C SEED turned around to innovate indoor TV, once again beating all reasonable expectations by launching the world's first foldable 165 inch MicroLED TV.

RED DOT: The sleek, functional look of the C SEED 201 has won the "red dot: best of the best" product design award. Porsche Design Studio has shaped this giant outdoor TV as a high-tech sculpture, combining elegant minimalism with a flamboyantly crowd-pleasing performance.



reddot design award
best of the best

C SEED SUPERMARINE THE FIRST REAL SUPERYACHT TV



THE NEW C SEED SUPERMARINE TV 201 & 144 - FULLY ELECTRIC

The launch of the C SEED Supermarine TV system in 2018 redefined the state of the art in superyacht entertainment: Its record-breaking screen diagonal, spectacular unfolding action and smooth Porsche Design lines had a major impact on superyacht business with over a dozen installations on some of the world's most luxurious

superyachts. The new C SEED Supermarine TV series has now a fully electric lifting device which reduces the underground compartment and its integration of only 62 cm (24.4 inch) depth, saving valuable space on and below decks. Waiting for activation by a simple push of a button on the remote control, the C SEED Supermarine column

takes 30 seconds to achieve its impressive height of 3 m (9.8 ft.) with effortless ease. Massive MicroLED panels unfold equally soundlessly within the next 45 seconds, forming a seamless TV screen that bursts into action with revolutionary MicroLED technology for ultra-high resolution images in any daylight environment, including direct

sunshine. No other technology generates such an extraordinary color spectrum with similar precision and reliability. With the same ease, the C SEED Supermarine submerges below the deck for space saving storage when not in use.





EXPANDING HORIZONS

When it comes to the ultimate luxury that combines privacy and comfort with Hollywood magic in the great outdoors, there's nothing better than turning the deck of your superyacht in a private cinema. The C SEED Supermarine TVs integrate discreetly into yacht spaces to complement these high-profile environments, presenting a screen of overwhelming brilliance to bring exceptional entertainment to fascinated viewers.

Once lifted and unfolded, the TV can be rotated 180 degrees via the remote control, so you can have it facing exactly at the

perfect viewing angle. Construction is marine-grade aluminum and steel, both of which are treated to a finish that matches the design aesthetics of contemporary superyachts.

It's also got built-in broadband speakers and a subwoofer, but if you want to upgrade your sound for the ultimate superyacht party, the C SEED Supermarine speakers promise superior acoustic experiences, while you're sailing from one corner of the world to another.

THE MOST BRILLIANT PICTURE UNDER THE SUN



The C SEED Supermarine's TV processing qualities shine brightest when the Mediterranean or Caribbean sun is high: Its exceptional luminosity of 4,000 nits and its contrast ratio of 7,000:1, together with 48 bit color depth produce a crystal clear picture even in glaring daylight conditions. The newest C SEED MicroLED technology is featuring 1.9 and 1.6 mm pixel resolution with IP65 rating, and each of the

individual million MicroLEDs processes image data up to 100,000 times per second, enabling the C SEED 201 and 144 to display 64 billion radiant colors.

**A choice of sizes:
201 and 144 inches**

C SEED new Supermarine TV systems are available in 201-inch and 144-inch screen diagonals including the new fully electric

lifting device. Both sets share the same lifting action, design concept and technologies. The size difference results from the number of seamlessly unfolding LED columns, with five columns making up the 144-inch set and seven columns unfolding the huge 201-inch screen.



INDIVIDUAL APPROACH, CUSTOMIZED SOLUTION

The C SEED Supermarine TV and speakers are designed to be the most compact kinematic and technological solution, bringing the ultimate outdoor daylight theater. Each marine project is unique - our in-house engineering team takes pride in creating individually customized solutions to fit our products in the existing space below the deck, defining the tiniest individual part and detail, surpassing the most challenging space restrictions. Striking formal simplicity, crafted from marine grade aluminum and steel materials in impeccable workmanship, Supermarine line perfectly matches the yacht design excellence of any superyacht new build or refit.

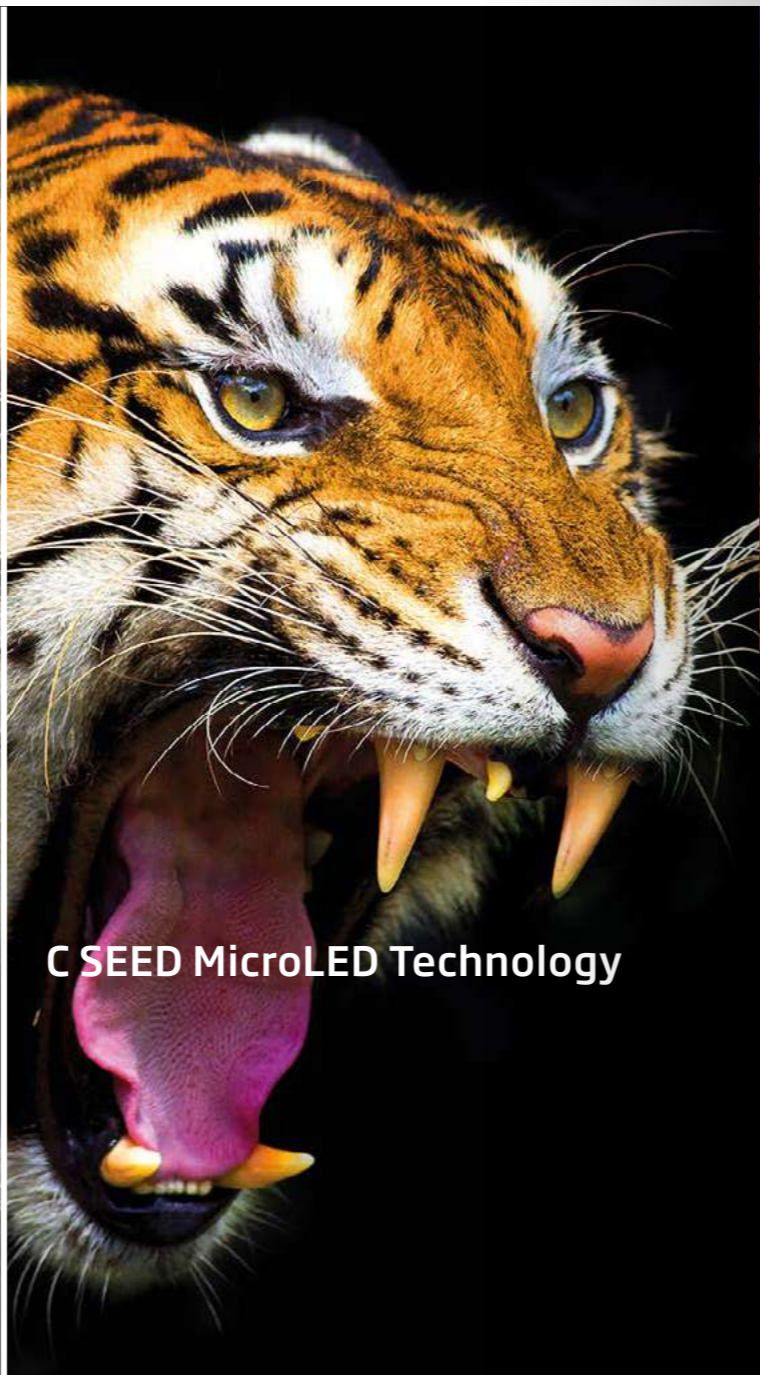


UNPARALLELED FEATURES

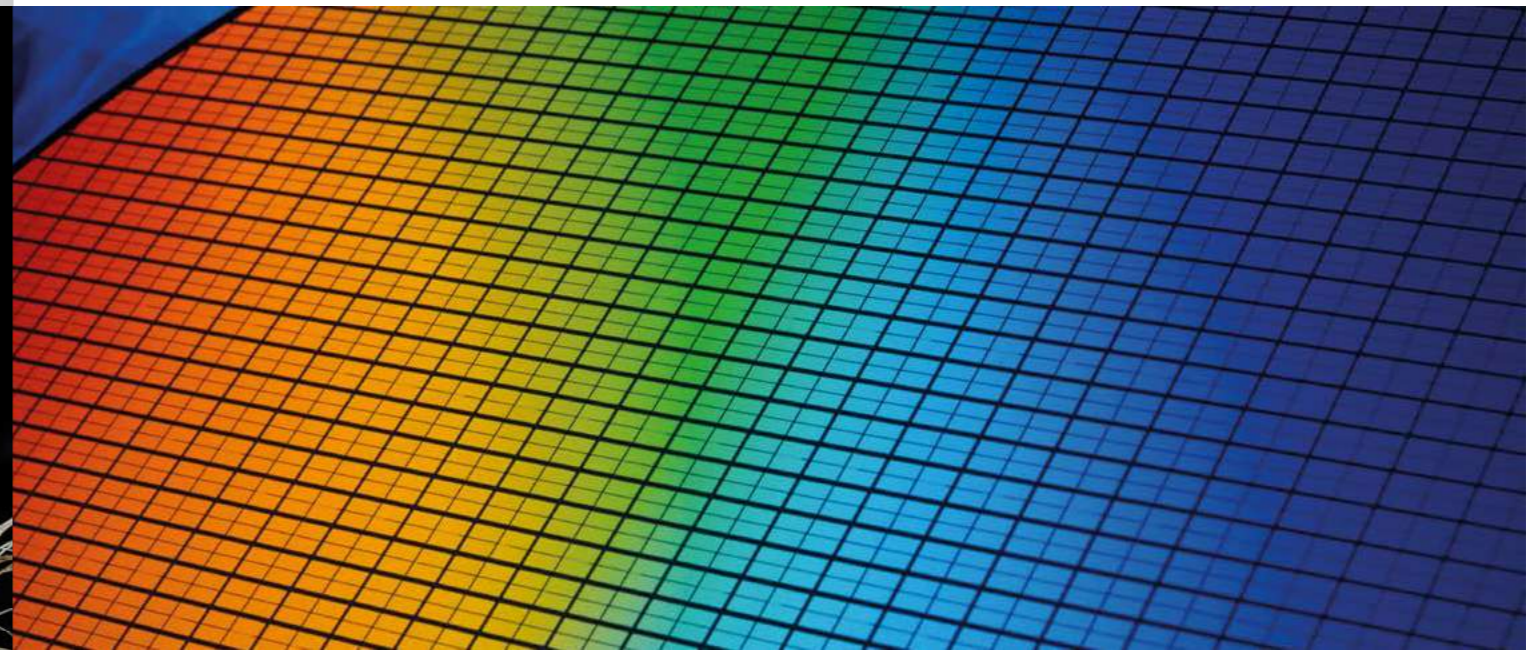
- Seamless, crystal clear picture even in direct sunshine by MicroLED technology - 4,000 nits brightness
- Unique Porsche Design unfolding TV feature
- Space-saving design with shallow storage area and fully electric lifting unit
- TV Rotation up to 180 degrees
- Optimum sound quality, even in high winds
- Crafted from marine grade aluminum and steel



Conventional LED



C SEED MicroLED Technology

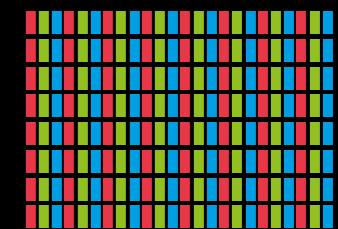


C SEED uses cutting-edge MicroLED technology to achieve superior contrast, brightness and an unparalleled color spectrum. C SEED video processing creates true-life images with a color processing depth of 16bit per color and advanced HDR and HDR10+ processing for a superior viewing experience. MicroLED technology is a revolutionary leap ahead, providing twice the color purity and a far wider color gamut than conventional LED screens, creating fully natural colors, optimum peak brightness and most accurate grayscale images. For a TV experience like never before.

LED



MicroLED



MICROLED TECHNOLOGY - THE HUGE LEAP AHEAD

TOTAL TV EXPERIENCE

Futuristic design meets futuristic TV engineering:

- C SEED MicroLED outpaces conventional TV displays. Micrometer-sized LED lights create stunning, lifelike colors and brightness on a self-illuminating 8 million pixel display that accurately delivers the color gamut of high-end DSLR cameras. Not only today and tomorrow - forever: MicroLEDs are made of long-lasting materials, giving the C SEED screen a potential lifespan of up to 100,000 hours.

- DEEP BLACK
Black is the all-important touchstone of display technology. Total Black employs a special surface treatment to achieve stunning contrast and perfect detail, while preventing glare.
- PURE COLOR
True colors are the life of a display, and the C SEED MicroLED brings colors to life like never before with approximately twice the color purity of conventional LEDs.

C SEED SUPERMARINE SPEAKERS



00:03 ☯



00:10 ☯



00:20 ☯

The most powerful sound experience

Hidden in underfloor storage casings, the C SEED Supermarine speakers await activation. At the push of a button on the C SEED Audio app they rise majestically to face the audience, and the stage is set for an unforgettable performance. Visually, they complement the C SEED Supermarine TV monolith style. Acoustically, they are providing superior sound to round off perfect days, grace beautiful surroundings and entertain guests at superyacht parties.

Ultimate quality

One-piece metal casings, precision-machined out of massive blocks of aluminium, provide C SEED Supermarine speakers with superior resonating bodies for overwhelming sound quality. Stainless steel parts in critical spots guarantee reliable longevity.

Concert acoustic from any angle

The heart of the C SEED 125 was created by masters of outdoor speaker engineering: L-Acoustic's passive speaker technology reproduces the entire frequency range with amazing, powerful brilliance.

Each speaker projects a 110 degree beam angle, enabling the system to cover even super large decks while providing a remarkably stable sound experience.

Select your size

C SEED Supermarine speaker system is available in two sizes: a standard version of 89 cm height and a smaller version of 48 cm height to accommodate to the available space for the necessary storage casing.



BRILLIANTLY PRACTICAL

With the flush mount option, the C SEED Hyde 125 speakers merge with their surroundings to show a flat, uniform surface when not in use. This allows seamless integration into decks made of wood or stone, and enables unrestricted combinations of both the architect's conceptual idea for minimalistic design and the idea of the composer whose music is released in incredible brilliance by the elevated speakers.

By installing fully retractable TV and speakers around a helipad, it makes great use of the space as an entertainment area, but can retract in 90 seconds, allowing a helicopter to land.

L-ACOUSTICS TECHNOLOGIES

In its over thirty years of research and development, L-Acoustics engineers have developed a number of major technologies in Acoustics, Mechanical Engineering, Amplification and Control. These innovations contribute to better, more predictable performance, increased flexibility in sound design and faster setup.



COAXIAL TECHNOLOGY

L-Acoustics introduced the first coaxial loudspeaker enclosure for professional sound reinforcement, bringing studio quality to near-field applications for the first time. Since then, coaxial technology has been implemented in all L-Acoustics point sources and constitutes the heart of the X Series.



LAMINAR VENTING

All current L-Acoustics loudspeaker enclosures with low-range capacities feature laminar vents which provide high SPL while eliminating turbulence noise.



POINT SOURCE

The point source's wide, conical directivity pattern imparts excellent spatialization and no minimum listening distance, assuring a flawless listening experience when monitoring sound.

UNIQUE SOUND INNOVATION

The name C SEED Hyde 125 refers to the peak speaker power, expressed in "decibel sound pressure", the professional audio industry's internationally accepted measure of sonic performance.

Does this sound a bit abstract? Well, 125 decibels translate, for all practical purposes, into "loud enough for anything one will ever want to hear": As a matter of fact, this is the sound pressure experienced by the audience of an opera house concert.

It is therefore a safe assumption that the C SEED Hyde 125 has sufficient power reserves to entertain even seriously partying capacity crowds by the poolside. On the other hand, it is worth noting that even at

very conservative volumes, the system is capable of unparalleled sound projection at angles wide enough to cover large terraces and gardens.

These are genuine high-end speakers, built to faithfully reproduce every last nuance of a beautiful violin solo or the rich texture of a great movie soundtrack, even on windy days. For massive performance they are built into one-piece metal casings, precision-machined out of massive blocks of aluminum. This provides the ultimate resonating body which makes the most of every single note, from delicate piano passages to screaming guitar riffs.



SUPREME ENGINEERING FOR INDIVIDUAL LUXURY



Bespoke engineering

Meeting challenges, unafraid of change, always pushing the boundaries of what's possible, beating the highest expectations, delivering breathtaking innovation without ever compromising the quality of the product or the customer experience - this is the driving ambition of C SEED.

If luxury is our benchmark, our engineering is what leads us there. We are proud to have our own team of mechanical and electronics specialists to take up new, exciting technological challenges in the A/V industry. Our in-house development and engineering team takes pride in creating individually customized solutions for residential, commercial and marine sector projects.

We proudly strive to surpass even our customers' highest expectations. We use latest CAD engineering tools to bring the ideas for our R&D team to perfection. All our products undergo state-of-the-art FEM, FMEA and CFD analysis before they are cleared for production.

Austrian quality and certification

Perfection is essential. We are building our brand's reputation on top-notch Austrian engineering and production quality meeting the most exacting standards. Our quality laboratory performs visual, mechanical and functional tests to ensure compliance. Inspections are performed with traceable equipment according to ISO 9001 standards, UL and TÜV safety.

We aim at impeccable craftsmanship down to the last, tiniest individual part and detail, from raw materials to surface finishes. Our standards require the use of highest quality components and materials like aerospace aluminum 7075 and stainless steel 316 grades for the extra strength and longevity that make a product live up to the C SEED brand.

Installation and after-sales service

C SEED has given proof of daringly innovative concepts with successful installations in some of the world's most spectacular natural and architectural environments. Our installation team works around the world and around the clock to ensure professional workmanship and quality service in reliable, total discretion.

No genuine premium product is complete without genuine premium after-sales service. Our customers expect us to respond immediately whenever technical issues arise, and we live up to their expectations: The C SEED after-sales team is globally available on a 24/7 basis. Under the name "AIP" we tailor support and maintenance programs to individual customer requirements - for total satisfaction with your C SEED products.

FEATURES SUPERMARINE MICROLED TV 201 INCH

TV SYSTEM		201 CSL/NCS
Brightness	nits	4,000
Brightness control		Manual
Number of MicroLEDs		2,963,520
Pixel pitch	mm	1.90
Processing depth	bit	16 per color
Color spectrum	colors	64 billion
Refresh rate	Hz	3,840
Lifespan	h	100,000
Contrast ratio		7,000:1
Colour temperature	k	10,000
Viewing angle - horizontal	degrees	160
Viewing angle - vertical	degrees	160
LED fixings		back - service
Operating temperature range	°C	-20 to +45

OPTIONAL		
Broadband speaker peak out	watt	6 x 250
Broadband speaker frequency range		40 Hz - 22 kHz

INPUT / OUTPUT		
Video input		6 x HDMI, 1 x HDCP 2.2 support
Serial in/output		2 x USB
Audio output		pre-amp, 9.2, independent sub
Network connection		1 x RJ45

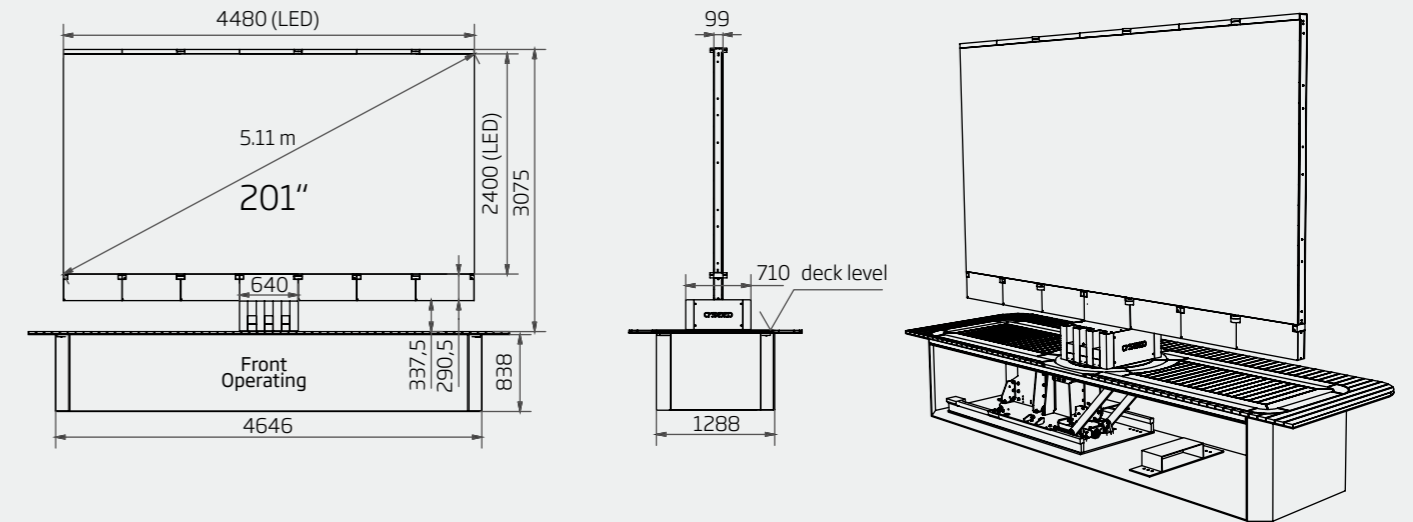
PHYSICAL DIMENSIONS TV		
LED TV size (diagonal)	inch/mm	201 / 5105
LED TV size (width)	inch/mm	176.4 / 4480
LED TV size (height)	inch/mm	94.5 / 2400
Standard LED screen (depth)	inch/mm	3.9 / 99
LED TV area	sq ft/m²	116.3 / 10.8
LED TV system weight	kg	2,800

PHYSICAL DIMENSIONS STOWED POSITION		
Basin size (length)	inch/mm	182.3 / 4630
Basin size (width)	inch/mm	50 / 1270
Basin size (height)	inch/mm	32.8 / 834

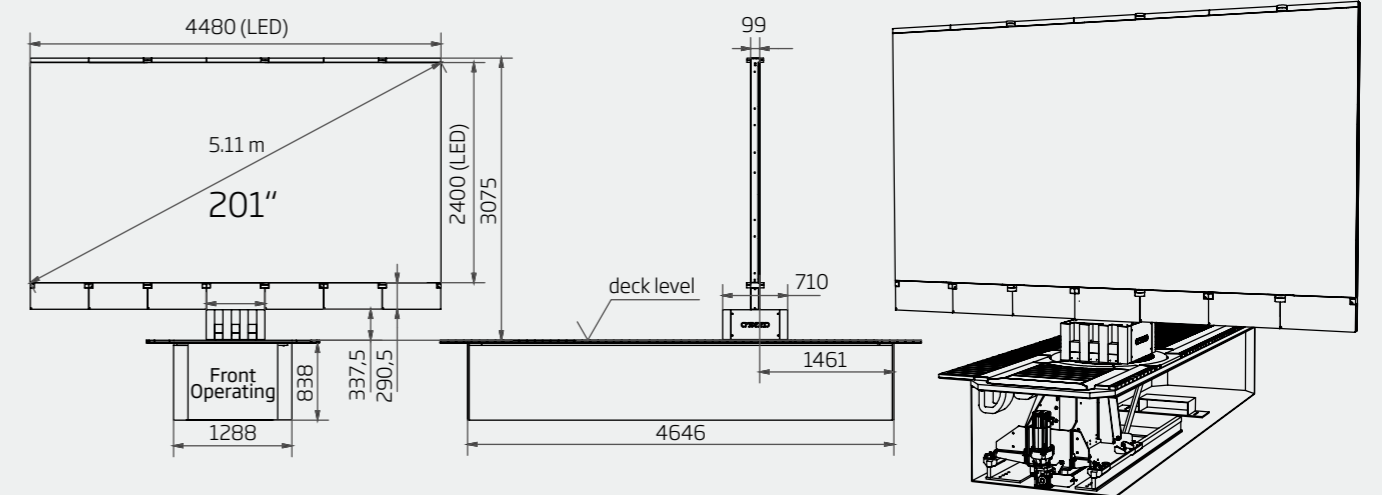
OPERATION		
Power supply LED screen		3 x 400V+N+PE/32A/50-60Hz AC (3~)
Input power (max)	W/m²	880
Input power (typical)	W/m²	230
Power consumption (typical)	kW	5.7
Power consumption (max)	kW	19

SPECIFIC FEATURES	
Electric slide mechanism for center positioning of the TV System (not for NCS)	
9.2 AV-Receiver	Automatic TV Cover
TV Rotation Angle: 90° left & 90° right	4K LED HDR10+ Controller
Electric elevating lift	Marine grade materials
Remote Control	

CENTER SLIDING - CSL



NON CENTER SLIDING - NCS



FEATURES

SUPERMARINE MICROLED TV

144 INCH

TV SYSTEM		144 CSL/NCS	144 ULC
Brightness	nits		4,000
Brightness control			Manual
Number of MicroLEDs			2,200,00
Pixel pitch	mm		1.60
Processing depth	bit		16 per color
Color spectrum	colors		64 billion
Refresh rate	Hz		3,840
Lifespan	h		100,000
Contrast ratio			7,000:1
Colour temperature	k		10,000
Viewing angle - horizontal	degrees		160
Viewing angle - vertical	degrees		160
LED fixings			back - service
Operating temperature range	°C		-20 to +45

OPTIONAL

Broadband speaker peak out	watt	2 x 250	
Broadband speaker frequency range		40 Hz - 22 kHz	

INPUT / OUTPUT

Video input	6 x HDMI, 1 x HDCP 2.2 support	2 x HDMI, 1 x HDCP 2.2 support
Serial in/output	2 x USB	1 x USB
Audio output	pre-amp, 9.2, independent sub	pre-amp
Network connection	1 x RJ45	1 x RJ45

PHYSICAL DIMENSIONS TV

LED TV size (diagonal)	inch/mm	144 / 3658
LED TV size (width)	inch/mm	126 / 3200
LED TV size (height)	inch/mm	69 / 1760
Standard LED screen (depth)	inch/mm	3.9 / 99
LED TV area	sq ft/m ²	60.3 / 5.6
LED TV system weight	kg	1,800

PHYSICAL DIMENSIONS STOWED POSITION

Basin size (length)	inch/mm	153 / 3876	121.5 / 3084
Basin size (width)	inch/mm	48.3 / 1226	38.8 / 985
Basin size (height)	inch/mm	30 / 764	24.4 / 620

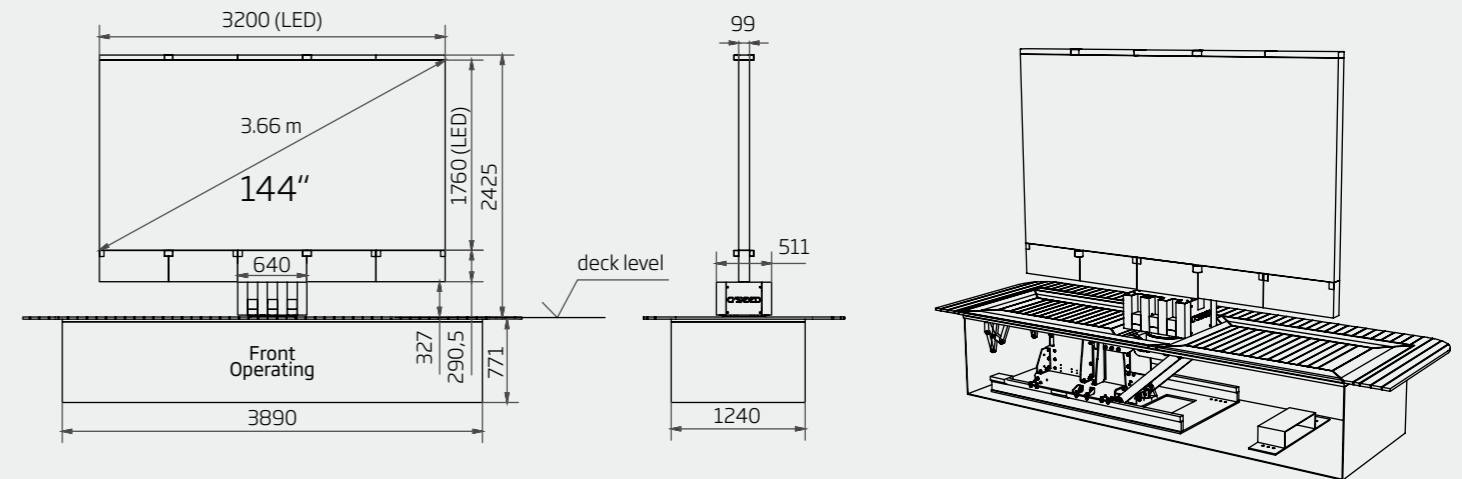
OPERATION

Power supply LED screen		3 x 400V+N+PE/32A/50-60Hz AC (3~)
Input power (max)	W/m ²	880
Input power (typical)	W/m ²	230
Power consumption (typical)	kW	3.8
Power consumption (max)	kW	14

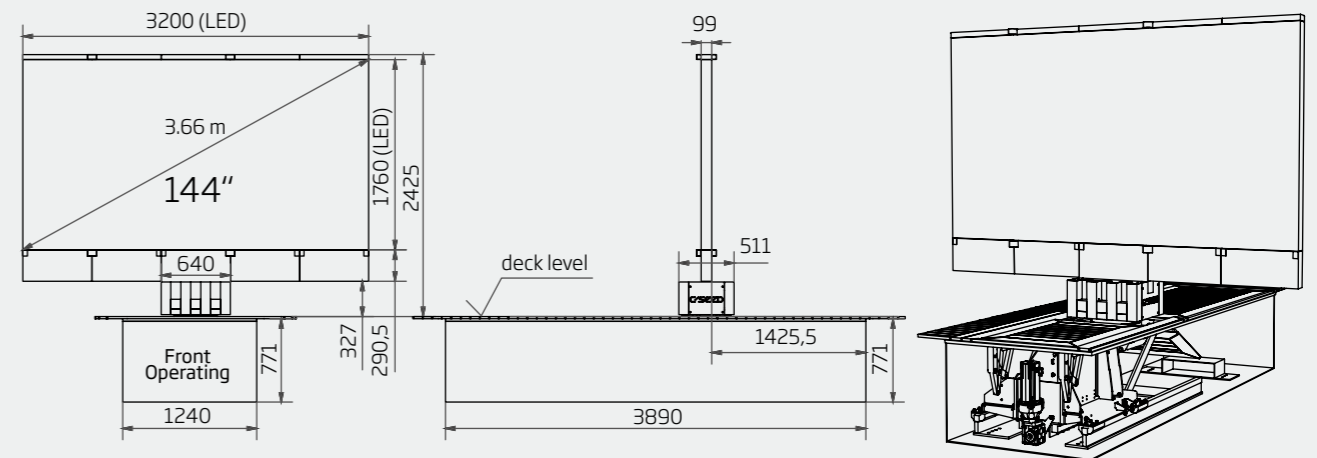
SPECIFIC FEATURES

Electric slide mechanism for center positioning of the TV System (not for ULC + NCS)	Remote Control
9.2 AV-Receiver (not for ULC)	Automatic TV Cover
TV Rotation Angle: 90° left & 90° right	4K LED HDR10+ Controller
Electric elevating lift	Marine grade materials

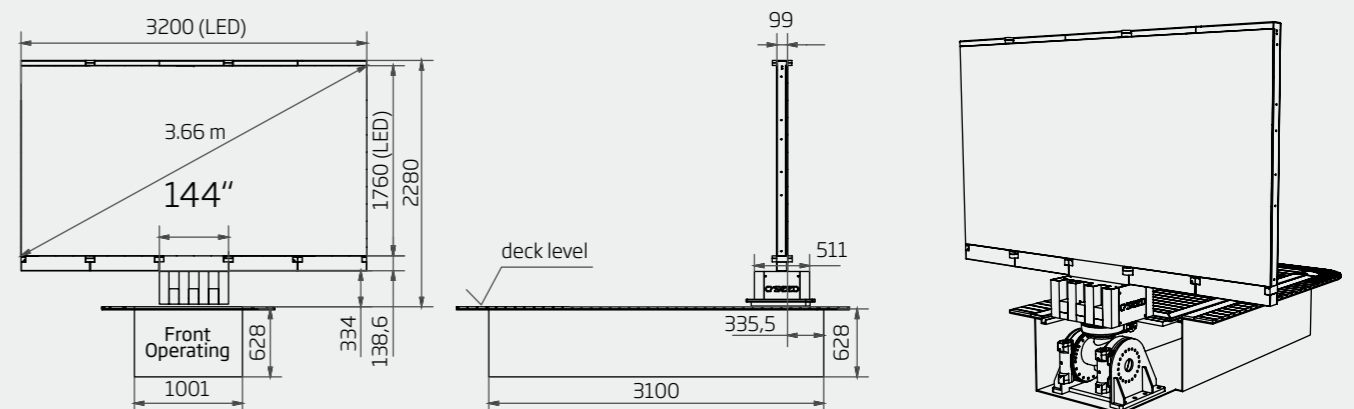
CENTER SLIDING - CSL



NON CENTER SLIDING - NCS



NON CENTER SLIDING ULTRA COMPACT - ULC

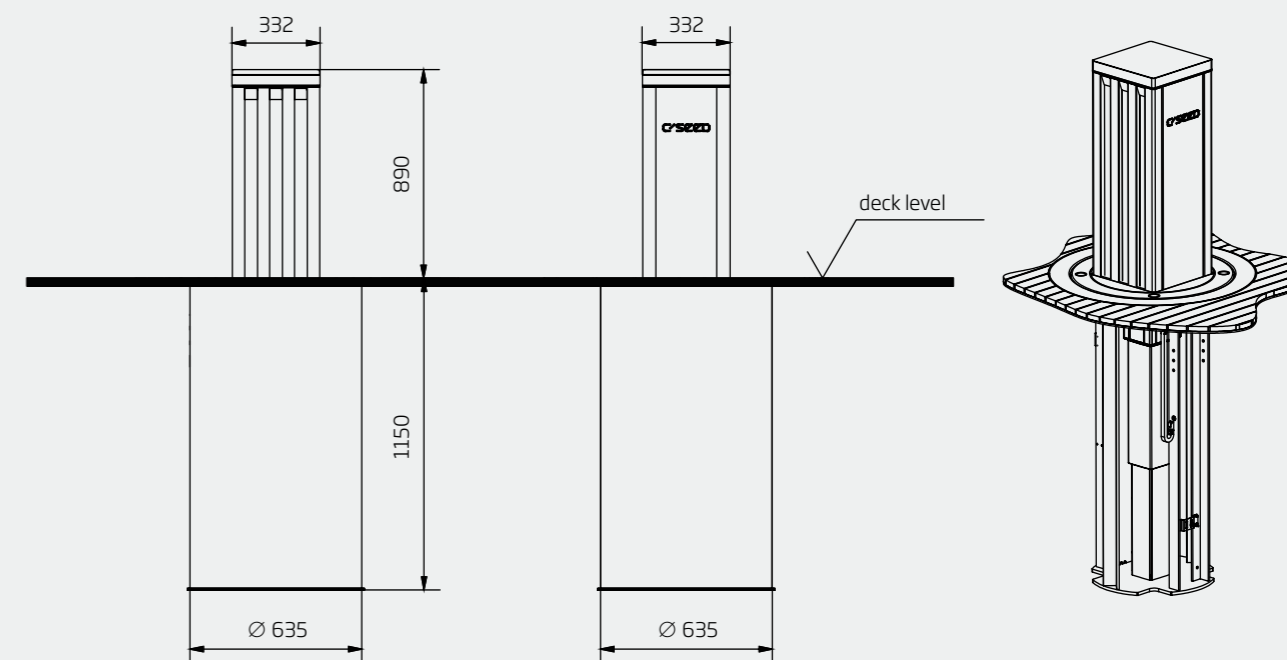


FEATURES

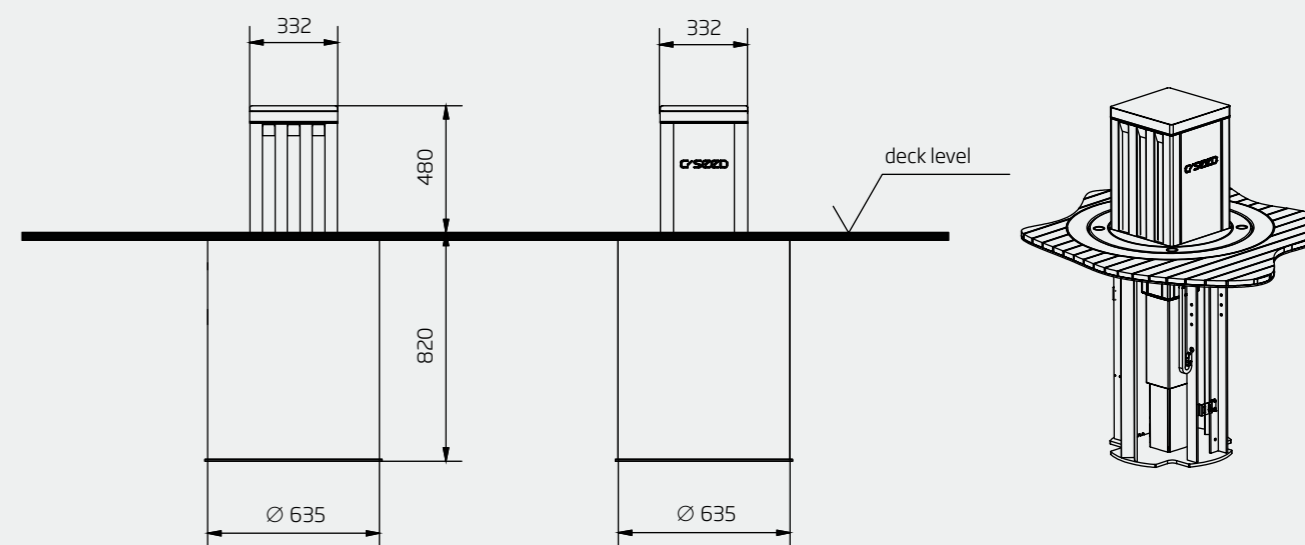
SUPERMARINE SPEAKERS

89 / 48

SPEAKER SYSTEM	C SEED SUPERMARINE 89
Type:	Retractable passive 2-way coaxial outdoor speaker system
Configuration:	Full range from 2.0 stereo to 9.2 surround sound
Speaker type:	L-Acoustics coaxial
Axisymmetric maximum:	125 dB
Nominal directivity (-6dB):	100°
Usable bandwidth: (-10dB):	60Hz-20kHz
Physical data H x W x D:	890 x 332 x 332 mm / 35 x 13 x 13 inch
Weight:	140 kg / 308 lbs
Materials:	Marine Grade Stainless Steel, Aluminium & rubber gasket
Integrated light:	RGB illuminated top edge
Extend/retract drive:	Remote-controlled electric telescopic drive
Remote control:	APP controlled IOS, intelligent embedded audio control
Option colors	Cabinets available in black or grayaluminium other colors, finishes and coatings on request
Flush mount:	This option allows seamless integration into surfaces made of stone, wood, tile or concrete.



SPEAKER SYSTEM	C SEED SUPERMARINE 48
Type:	Retractable passive 2-way coaxial outdoor speaker system
Configuration:	Full range from 2.0 stereo to 9.2 surround sound
Speaker type:	L-Acoustics coaxial
Axisymmetric maximum:	125 dB
Nominal directivity (-6dB):	100°
Usable bandwidth: (-10dB):	60Hz-20kHz
Physical data H x W x D:	480 x 332 x 332mm / 19 x 13 x 13 inch
Weight:	110 kg / 243 lbs
Materials:	Marine Grade Stainless Steel, Aluminium & rubber gasket
Integrated light:	RGB illuminated top edge
Extend/retract drive:	Remote-controlled electric telescopic drive
Remote control:	APP controlled IOS, intelligent embedded audio control
Option colors	Cabinets available in black or grayaluminium other colors, finishes and coatings on request
Flush mount:	This option allows seamless integration into surfaces made of stone, wood, tile or concrete.



EUROPE OFFICE

C SEED ENTERTAINMENT SYSTEMS GMBH
IZ NÖ Süd, Strasse 2, M1
2351 Wiener Neudorf, Austria
T +43 2236 501003
office@cseed.com

US OFFICE

C SEED Inc.
8809 Wilshire Blvd
Beverly Hills, CA 90211, USA
T +1 424 527 6630
usoffice@cseed.com

